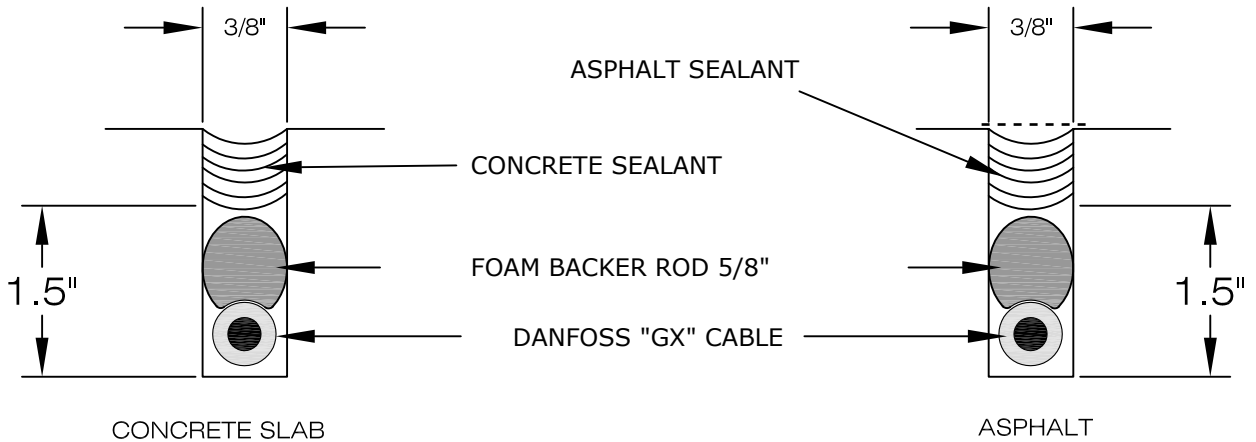
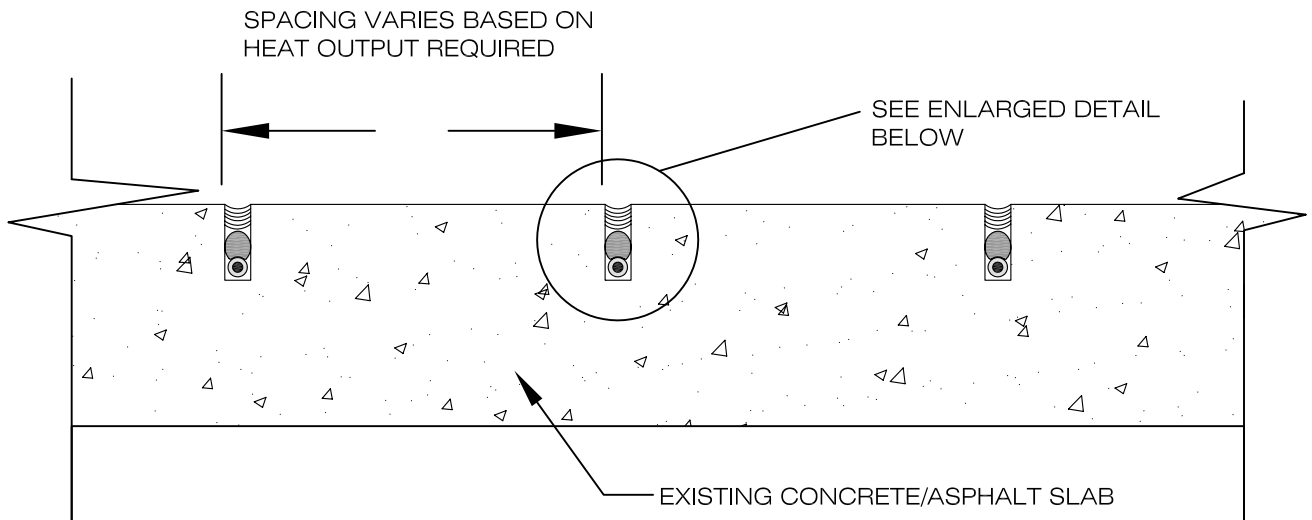
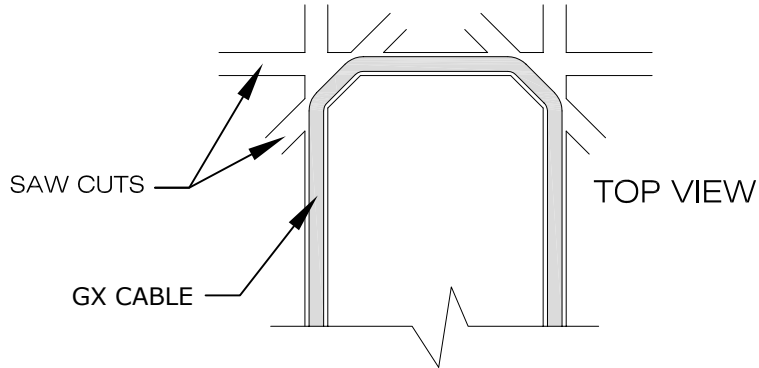


**WARNING!!**  
 DO NOT CUT OR DAMAGE  
 DANFOSS HEATING CABLE ELEMENT OR  
 ITS INSULATOR IN ANY WAY



DRAWING NO.:

**SM-GX1R**

**DANFOSS "GX" SNOW MELTING CABLE  
 RETRO-FIT INTO CONCRETE/ASPHALT SURFACES**

DRAWING BY:  
RdH

DATE:  
Mar/2013

**COMFORT RADIANT HEATING, LLC**  
**9 MORRIS LANE, CLIFTON PARK, NY 12065**  
**(888)448-0555 f(518)373-0135**  
**www.danfossradiant.com**

When installing Danfoss Electric Snow Melting Systems, strict compliance with the National Electric Code, the Canadian Electric Code, state and local building code is essential.